



※ **6SR submersible pumps: designed with special materials to resist sand abrasion for long-lasting performance**

#### PERFORMANCE RANGE

- Flow rate up to **1000 l/min** (60 m<sup>3</sup>/h)
- Head up to **390 m**

#### INSTALLATION AND USE

Designed to transfer clean water with sand content up to **100 g/m<sup>3</sup>**. Highly efficient and reliable, they are suitable for industrial, civil, and agricultural applications, such as water distribution coupled with pressure tanks, irrigation, pressure boosting, fire-fighting systems, and more.

#### INCLUDES

- ※ Three-phase electric motor 400 V - 50 Hz
  - The pump can be supplied with motor:
    - **6PD** rewindable and oil filled
    - **6PSR** rewindable and water filled
- ※ **4 m** power cable

#### APPLICATION LIMITS

- Liquid temperature up to **+35 °C**
- Maximum sand content **100 g/m<sup>3</sup>**
- Maximum operating depth below water level:
  - **200 m** with 6PD motors
  - **150 m** with 6PSR motors
- Operation:
  - in vertical position
  - horizontally with the following limits: up to **12 stages** or up to **11 kW**
- Starts per hour: **20** at regular intervals
- Minimum cooling flow **8 cm/s**
- Continuous running duty **S1**

#### AVAILABLE UPON REQUEST

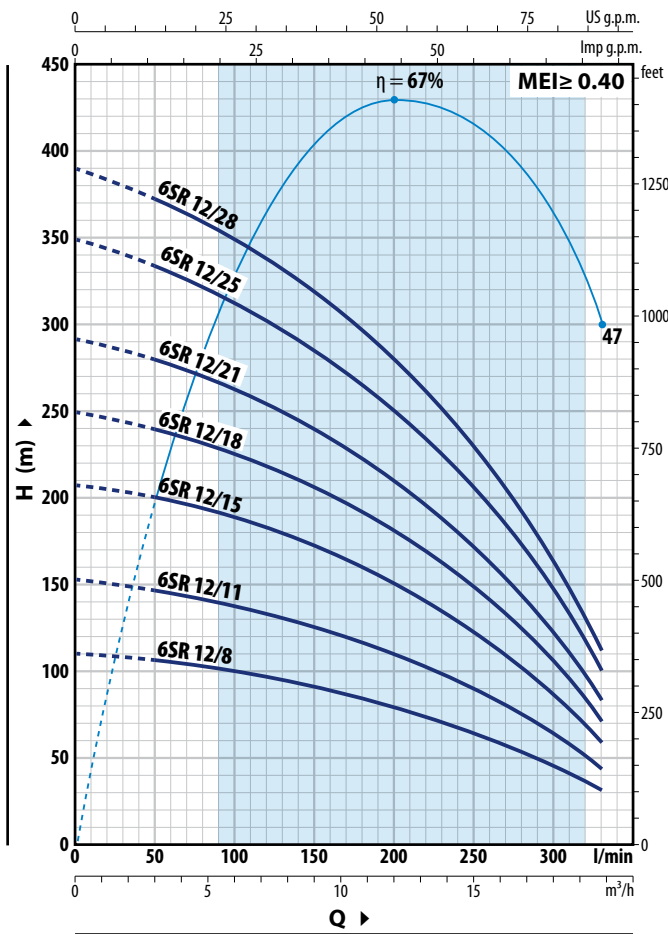
- ※ 6SR-HYD pumps with double cable cover for coupling with 400/690 V  $\Delta/\star$  dual voltage motors (star/delta)
- ※ Other voltages
- ※ Cooling jacket kit complete with filter and supinlets



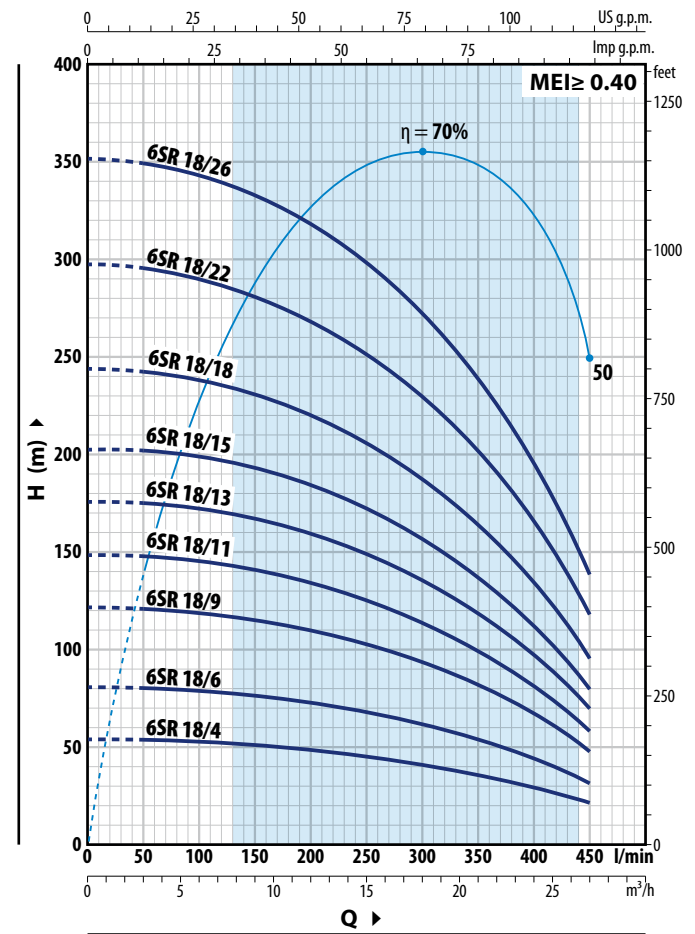
## CURVES AND PERFORMANCE DATA

# 50 Hz

### 6SR 12



### 6SR 18



### 6SR 12

TYPE	POWER (P <sub>2</sub> )		Q	H metres										
	kW	HP		0	3.0	6.0	9.0	12.0	15.0	18.0	19.8			
Three-phase			l/min	0	50	100	150	200	250	300	330			
6SR 12/8	4	5.5		111	106	100	91	80	66	47	32			
6SR 12/11	5.5	7.5		153	146	138	125	110	91	65	44			
6SR 12/15	7.5	10		208	199	189	171	150	124	88	60			
6SR 12/18	9.2	12.5		250	239	225	205	180	149	106	72			
6SR 12/21	11	15		292	279	263	239	210	174	124	84			
6SR 12/25	13	17.5		349	331	313	285	250	206	147	100			
6SR 12/28	15	20		390	371	350	319	280	231	165	112			

### 6SR 18

TYPE	POWER (P <sub>2</sub> )		Q	H metres												
	kW	HP		0	3	6	9	12	15	18	21	24	27			
Three-phase			l/min	0	50	100	150	200	250	300	350	400	450			
6SR 18/4	4	5.5		54	53.8	53	51	49	46	42	37	30	22			
6SR 18/6	5.5	7.5		81	80.5	79	77	74	69	63	55	45	32			
6SR 18/9	7.5	10		122	121	119	116	111	103	94	83	68	48			
6SR 18/11	9.2	12.5		149	148	145.5	141	135	126	115	101	83	59			
6SR 18/13	11	15		176	175	172	167	160	149	136	120	98	70			
6SR 18/15	13	17.5		203	202	199	193	185	172	157	138	113	80			
6SR 18/18	15	20		244	242	238	231	221	206	188	165	135	96			
6SR 18/22	18.5	25		298	296	291	282	270	252	230	202	165	118			
6SR 18/26	22	30		352	350	344	334	320	298	272	239	195	139			

Q = Flow rate H = Total manometric head

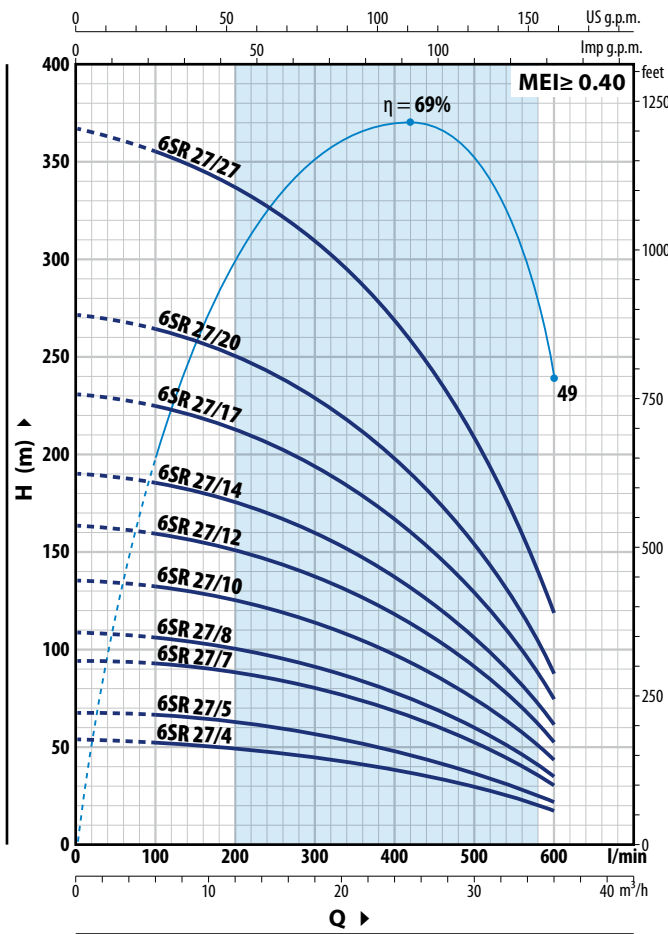
Performance curves comply with EN ISO 9906 Grade 3B tolerance limits.

# 6SR 6" submersible pumps

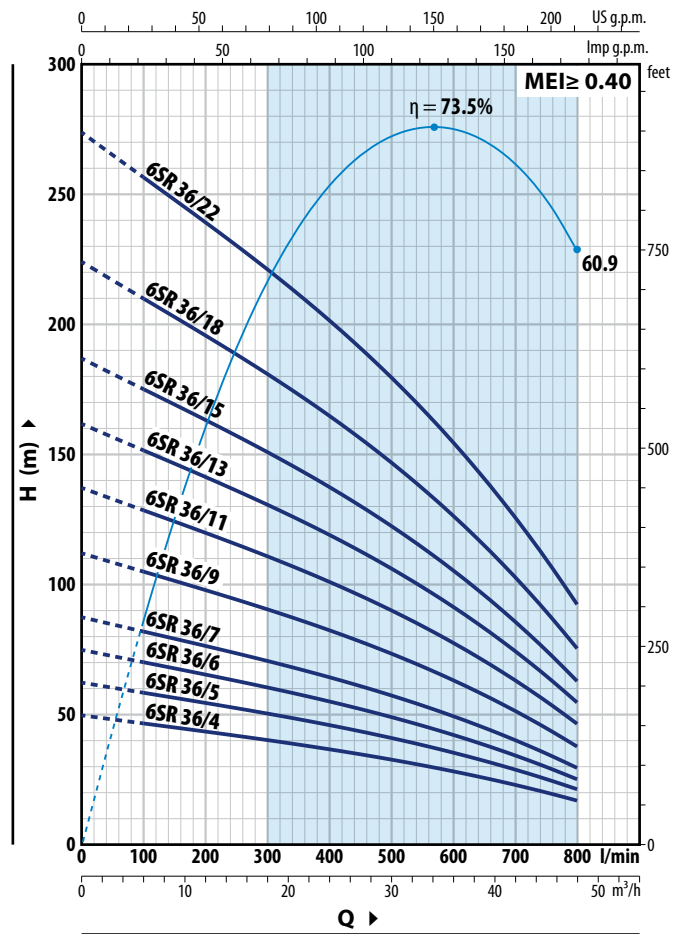
## CURVES AND PERFORMANCE DATA

50 Hz

### 6SR 27



### 6SR 36



### 6SR 27

TYPE	POWER (P <sub>2</sub> )		Q	H metres									
	kW	HP		0	6	12	18	24	30	36			
<b>Three-phase</b>			<b>0</b>	<b>100</b>	<b>200</b>	<b>300</b>	<b>400</b>	<b>500</b>	<b>600</b>				
6SR 27/4	4	5.5	54	53	49	45	40	30	18				
6SR 27/5	5.5	7.5	68	66	62	57	50	37	22				
6SR 27/7	7.5	10	95	92	87	80	70	52	31				
6SR 27/8	9.2	12.5	109	106	99	91	80	59	35				
6SR 27/10	11	15	136	132	124	114	100	74	44				
6SR 27/12	13	17.5	164	159	149	137	120	89	53				
6SR 27/14	15	20	191	185	174	160	140	104	62				
6SR 27/17	18.5	25	231	224	211	194	170	126	75				
6SR 27/20	22	30	272	264	248	228	200	148	88				
6SR 27/27	30	40	367	356	335	308	270	205	119				

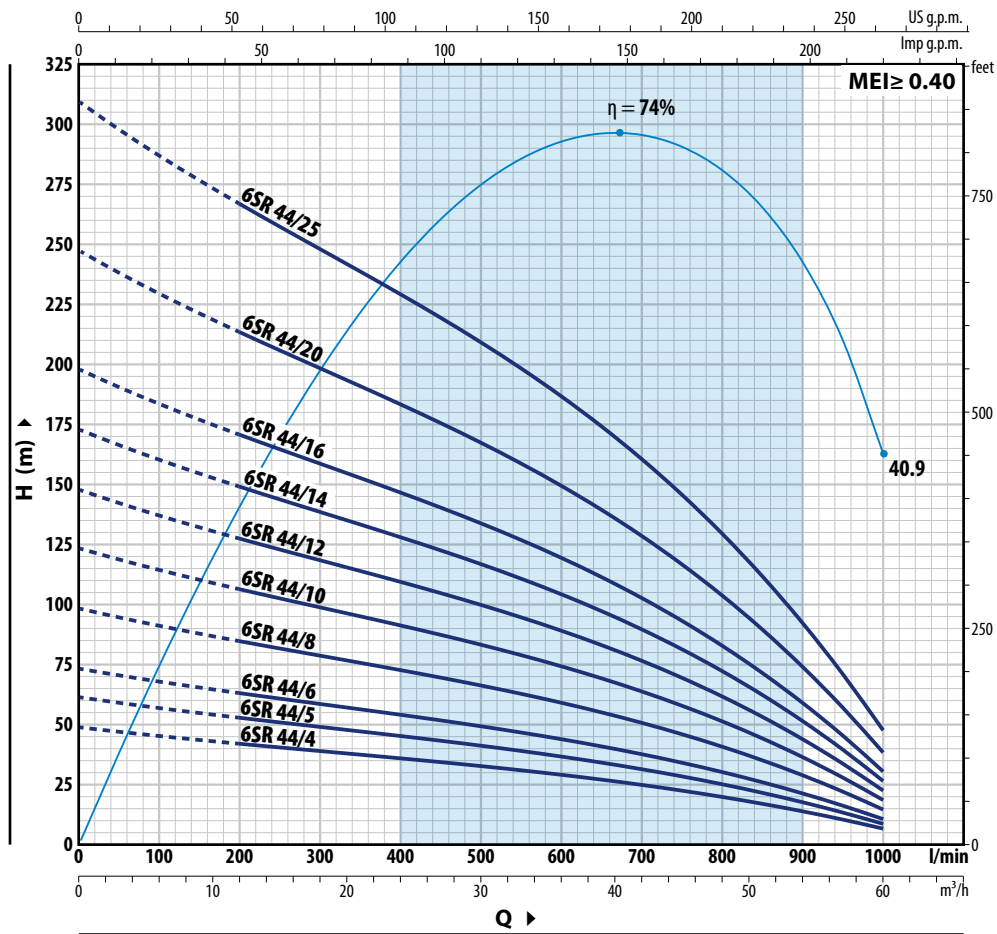
### 6SR 36

TYPE	POWER (P <sub>2</sub> )		Q	H metres											
	kW	HP		0	6	12	18	24	30	36	42	48			
<b>Three-phase</b>			<b>0</b>	<b>100</b>	<b>200</b>	<b>300</b>	<b>400</b>	<b>500</b>	<b>600</b>	<b>700</b>	<b>800</b>				
6SR 36/4	4	5.5	50	46.5	43.5	40	36.5	32.5	28	23	17				
6SR 36/5	5.5	7.5	62.5	58.5	54.5	50.5	46	41	35	28.5	21				
6SR 36/6	5.5	7.5	75	70	65.5	60.5	55	49	42	34.5	25				
6SR 36/7	7.5	10	87	82	76	70	64	57	49	40	29.5				
6SR 36/9	9.2	12.5	112	105	98	91	83	74	63.5	51.5	37.5				
6SR 36/11	11	15	137	128	120	111	101	90	77	63	46				
6SR 36/13	13	17.5	162	152	142	131	119	106	91	74.5	54.5				
6SR 36/15	15	20	187	175	163	151	138	123	105	86	63				
6SR 36/18	18.5	25	224	210	196	181	165	147	127	103	75				
6SR 36/22	22	30	274	257	239	221	202	180	155	126	92				

Q = Flow rate H = Total manometric head

Performance curves comply with EN ISO 9906 Grade 3B tolerance limits.

### 6SR 44



### 6SR 44

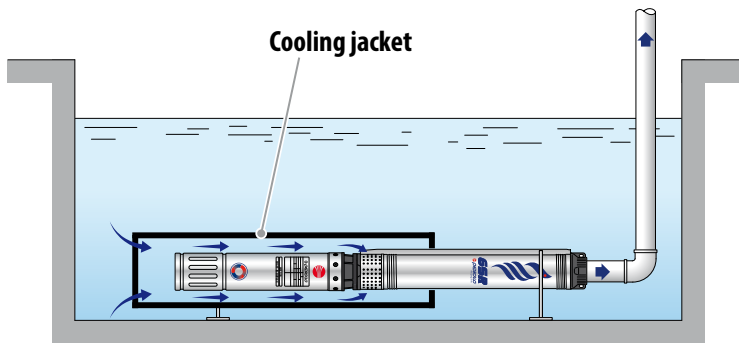
TYPE Three-phase	POWER (P <sub>2</sub> )		Q	Flow Rate (Q)												
	kW	HP		m <sup>3</sup> /h	0	12	18	24	30	36	42	48	54	60		
			l/min	0	200	300	400	500	600	700	800	900	1000			
6SR 44/4	4	5.5	H metres	49.5	43	40	37	33.5	30	25.8	21	15	8			
6SR 44/5	5.5	7.5		62	53.5	49.5	46	42	37.5	32.5	26	18.7	10			
6SR 44/6	7.5	10		74	64	59.5	55	50.5	45	38.5	31.5	22.4	11.5			
6SR 44/8	9.2	12.5		99	86	80	74	67	60	51.5	41.5	30	15.5			
6SR 44/10	11	15		124	107	99	92	84	75	64.5	52	37.5	19.5			
6SR 44/12	13	17.5		149	128	119	110	101	90	77	62.5	45	23.5			
6SR 44/14	15	20		174	150	139	129	118	105	90	73	52.5	27.5			
6SR 44/16	18.5	25		198	171	159	147	134	120	103	83	59.5	31			
6SR 44/20	22	30		248	214	199	184	168	150	129	104	75	39			
6SR 44/25	30	40	310	267	249	230	210	188	161	130	93	49				

Q = Flow rate H = Total manometric head

Performance curves comply with EN ISO 9906 Grade 3B tolerance limits.

# 6SR 6" submersible pumps

## EXAMPLES OF INSTALLATION



### COOLING JACKET

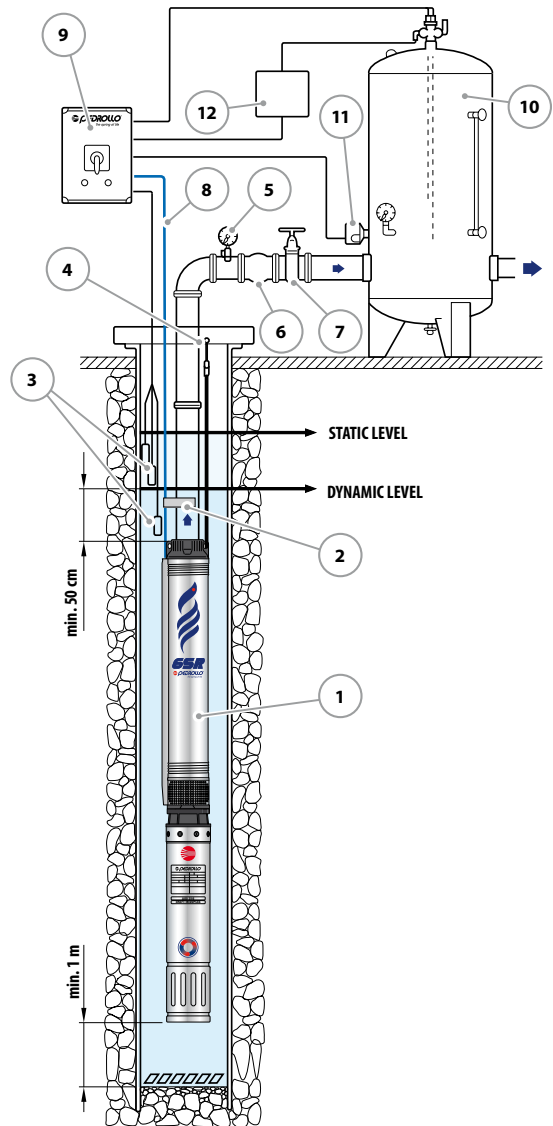
✘ When the pump is installed in reservoirs, rivers, or lakes, it requires an external cooling jacket (flow generator) to ensure sufficient water flow across the motor surface, preventing overheating.



✘ The **6SR** pumps are suitable for wells with a minimum diameter of **6" (153 mm)**.

✘ The submersible pump must be lowered into the well through the delivery pipe to a depth that ensures it remains fully submerged, maintaining at least 50 cm or one metre from the bottom of the well, even if liquid levels decrease during operation.

✘ It is advisable to secure the submersible pump using a stainless-steel cable connected to appropriate attachments on the delivery port.

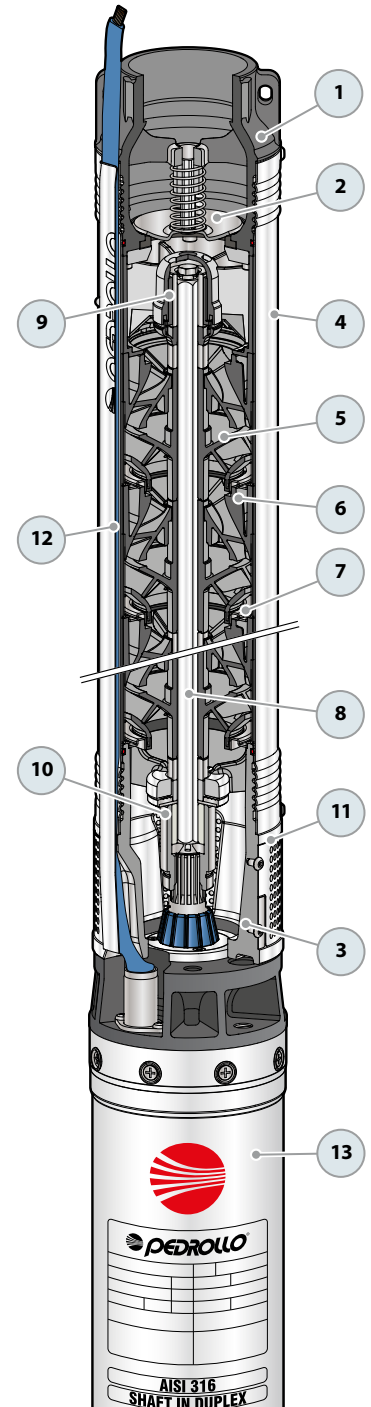


### COMPONENTS

- 1) Submersible pump
- 2) Fixing Ties
- 3) Level control probes
- 4) Bracket and anchor cable
- 5) Pressure Gauge
- 6) Check valve
- 7) Flow control gate valve
- 8) Electrical power supply cable
- 9) Control panel
- 10) Autoclave tank
- 11) Pressure switch
- 12) Solenoid valve/electric compressor

## MATERIALS AND COMPONENTS

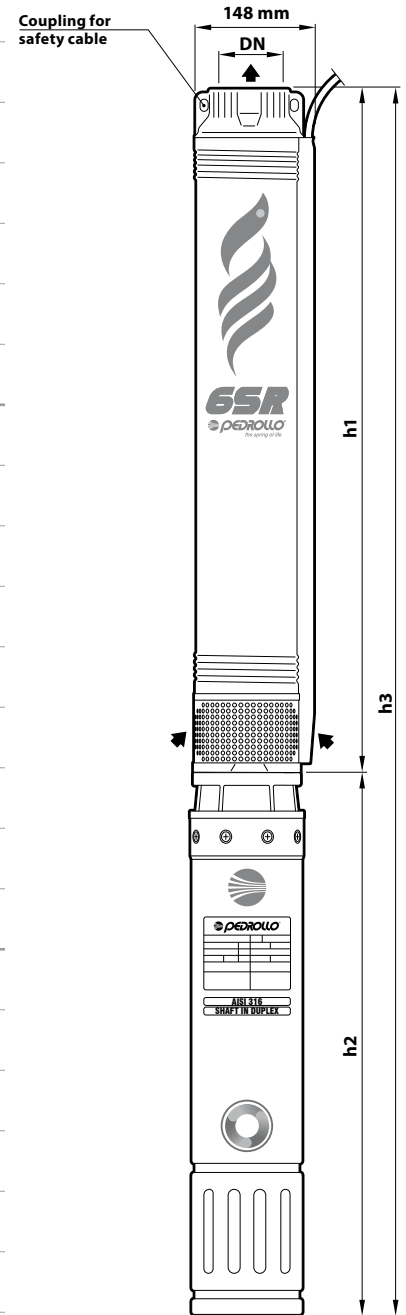
<b>1 Delivery port</b>	Cast iron with cataphoresis treatment with thread according to ISO 228/1
<b>2 Check valve</b>	Stainless steel <b>AISI 304</b> stainless steel
<b>3 Motor bracket</b>	Cast iron with cataphoresis treatment sized to NEMA standards
<b>4 External sleeve</b>	<b>AISI 304</b> stainless steel
<b>5 Impellers</b>	Noryl™ and coated with special sand-resistant elastomer
<b>6 Diffusers</b>	Noryl™
<b>7 Diffuser boxes</b>	<b>AISI 304</b> stainless steel
<b>8 Pump shaft</b>	<b>AISI 304</b> stainless steel
<b>9 Pump bearings</b>	Made of <b>AISI 316L</b> stainless steel coated with chromium oxide to resist sand
<b>10 Tow coupling</b>	<b>AISI 420</b> stainless steel
<b>11 Filter</b>	<b>AISI 304</b> stainless steel
<b>12 Cable sheath</b>	<b>AISI 304</b> stainless steel
<b>13 Motor 6"</b>	※ <b>6PD = rewindable oil filled motor</b> ※ <b>6PSR = rewindable in water filled motor</b>



# 6SR 6" submersible pumps

## DIMENSIONS AND WEIGHT

TYPE Three-phase ※	DN	DIMENSIONS mm			kg	TYPE Three-phase ※	DN	DIMENSIONS mm			kg
		h1	h2	h3							
6SR 12/8 - PD	3"	714	595	1309	55.0	6SR 12/8 - PSR	3"	714	620	1334	71.6
6SR 12/11 - PD		845	625	1470	58.3	6SR 12/11 - PSR		845	620	1465	73.9
6SR 12/15 - PD		1063	660	1723	67.8	6SR 12/15 - PSR		1063	670	1733	84.7
6SR 12/18 - PD		1193	700	1893	74.6	6SR 12/18 - PSR		1193	700	1893	91.0
6SR 12/21 - PD		1324	765	2089	83.6	6SR 12/21 - PSR		1324	750	2074	100.3
6SR 12/25 - PD		1497	820	2317	92.4	6SR 12/25 - PSR		1497	780	2277	106.4
6SR 12/28 - PD		1627	820	2447	94.8	6SR 12/28 - PSR		1627	840	2467	115.2
6SR 18/4 - PD		541	595	1136	50.5	6SR 18/4 - PSR		541	620	1161	67.1
6SR 18/6 - PD		628	625	1253	53.0	6SR 18/6 - PSR		628	620	1248	68.6
6SR 18/9 - PD		758	660	1418	60.4	6SR 18/9 - PSR		758	670	1428	77.3
6SR 18/11 - PD		845	700	1545	66.5	6SR 18/11 - PSR		845	700	1545	82.9
6SR 18/13 - PD		976	765	1741	76.4	6SR 18/13 - PSR		976	750	1726	93.1
6SR 18/15 - PD		1063	820	1883	83.6	6SR 18/15 - PSR		1063	780	1843	97.6
6SR 18/18 - PD		1193	820	2013	85.9	6SR 18/18 - PSR		1193	840	2033	106.3
6SR 18/22 - PD		1367	883	2250	98.8	6SR 18/22 - PSR		1367	890	2257	116.4
6SR 18/26 - PD		1541	953	2494	109.1	6SR 18/26 - PSR		1541	975	2516	130.5
6SR 27/4 - PD		579	595	1174	51.0	6SR 27/4 - PSR		579	620	1199	67.6
6SR 27/5 - PD		632	625	1257	52.9	6SR 27/5 - PSR		632	620	1252	68.5
6SR 27/7 - PD		738	660	1398	59.8	6SR 27/7 - PSR		738	670	1408	76.7
6SR 27/8 - PD		790	700	1490	65.2	6SR 27/8 - PSR		790	700	1490	81.6
6SR 27/10 - PD	896	765	1661	72.6	6SR 27/10 - PSR	896	750	1646	89.3		
6SR 27/12 - PD	1047	820	1867	82.8	6SR 27/12 - PSR	1047	780	1827	96.8		
6SR 27/14 - PD	1153	820	1973	84.5	6SR 27/14 - PSR	1153	840	1993	104.9		
6SR 27/17 - PD	1311	883	2194	97.0	6SR 27/17 - PSR	1311	890	2201	114.6		
6SR 27/20 - PD	1470	953	2423	106.9	6SR 27/20 - PSR	1470	975	2445	127.3		
6SR 27/27 - PD	1840	1098	2938	130.1	6SR 27/27 - PSR	1840	1215	3055	165.9		



※ 6PD = rewindable oil filled motor

※ 6PSR = rewindable water filled motor

## DIMENSIONS AND WEIGHT

TYPE Three-phase ※	DN	DIMENSIONS mm			kg	TYPE Three-phase ※	DN	DIMENSIONS mm			kg		
		h1	h2	h3									
6SR 36/4 - PD	3"	761	595	1356	54.9	6SR 36/4 - PSR	3"	761	620	1381	71.5		
6SR 36/5 - PD		859	625	1484	57.6	6SR 36/5 - PSR		859	620	1479	73.2		
6SR 36/6 - PD		958	625	1583	59.1	6SR 36/6 - PSR		958	620	1578	74.7		
6SR 36/7 - PD		1056	660	1716	66.3	6SR 36/7 - PSR		1056	670	1726	83.2		
6SR 36/9 - PD		1253	700	1953	73.9	6SR 36/9 - PSR		1253	700	1953	90.3		
6SR 36/11 - PD		1450	765	2215	83.8	6SR 36/11 - PSR		1450	750	2200	100.5		
6SR 36/13 - PD		1646	820	2466	92.5	6SR 36/13 - PSR		1646	780	2426	106.5		
6SR 36/15 - PD		1843	820	2663	96.7	6SR 36/15 - PSR		1843	840	2683	117.1		
6SR 36/18 - PD		2138	883	3021	109.1	6SR 36/18 - PSR		2138	890	3028	126.7		
6SR 36/22 - PD		2532	953	3485	123.5	6SR 36/22 - PSR		2532	975	3507	143.9		
6SR 44/04 - PD		3"	761	595	1356	54.9		6SR 44/04 - PSR	3"	761	620	1381	71.5
6SR 44/05 - PD			859	625	1484	57.6		6SR 44/05 - PSR		859	620	1479	73.2
6SR 44/06 - PD			958	660	1618	62.8		6SR 44/06 - PSR		958	670	1628	79.7
6SR 44/08 - PD			1154	700	1854	72.4		6SR 44/08 - PSR		1154	700	1854	88.8
6SR 44/10 - PD			1351	765	2116	82.1		6SR 44/10 - PSR		1351	750	2101	98.8
6SR 44/12 - PD			1548	820	2368	91.0		6SR 44/12 - PSR		1548	780	2328	105.0
6SR 44/14 - PD	1745		820	2565	95.1	6SR 44/14 - PSR	1745	840		2585	115.5		
6SR 44/16 - PD	1942		883	2825	107.0	6SR 44/16 - PSR	1942	890		2832	124.6		
6SR 44/20 - PD	2335		953	3288	119.5	6SR 44/20 - PSR	2335	975		3310	139.9		
6SR 44/25 - PD	2827		1098	3925	144.2	6SR 44/25 - PSR	2827	1215		4042	175.2		

※ 6PD = rewindable oil filled motor

※ 6PSR = rewindable water filled motor

